



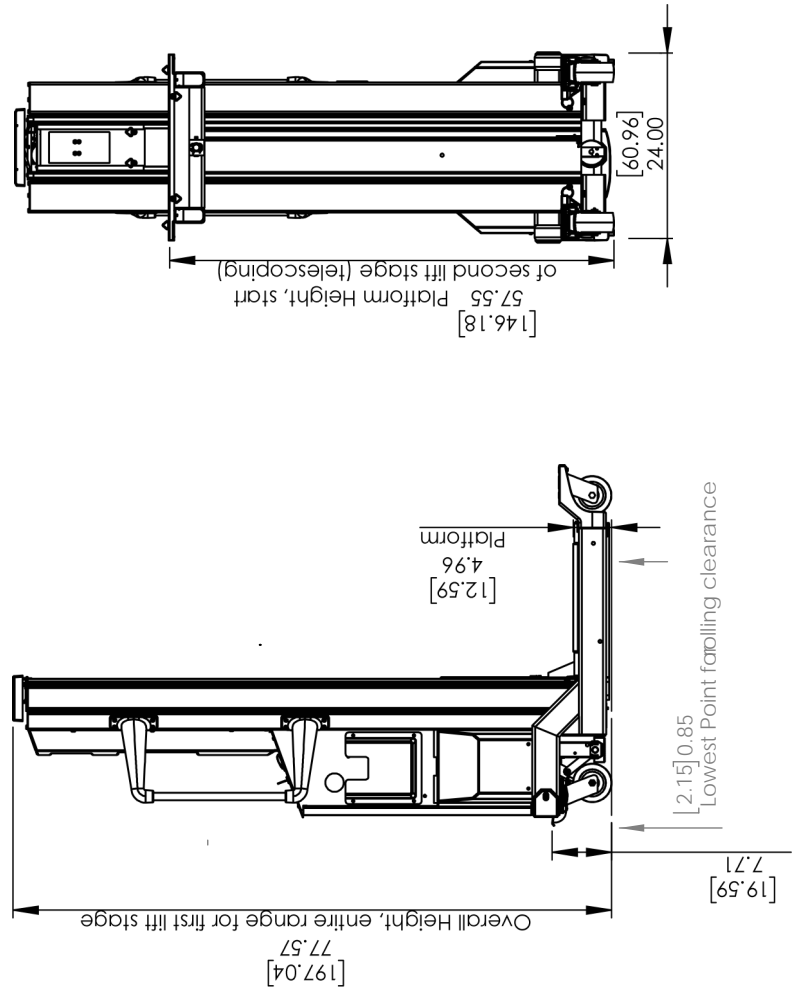
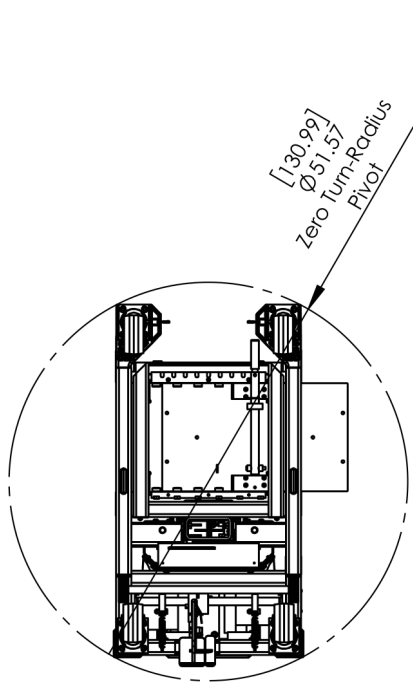
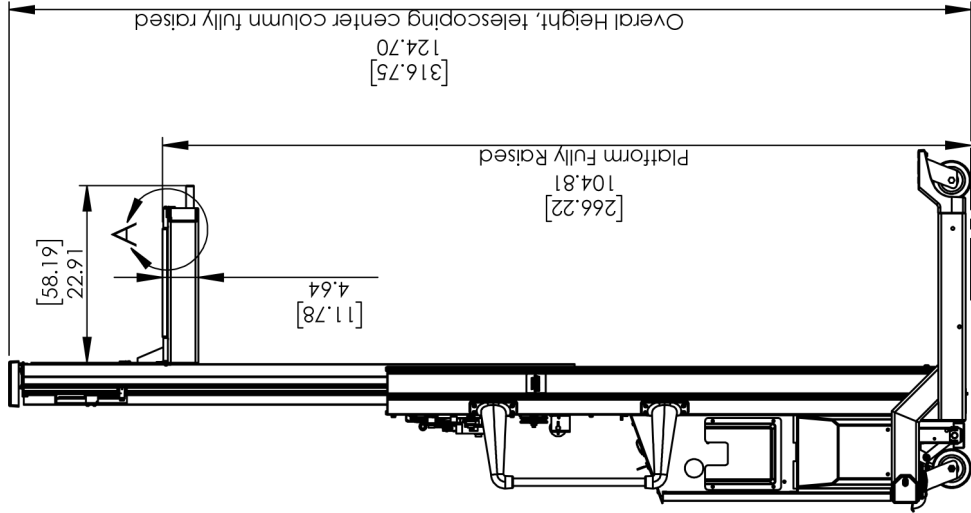
SL-1000X™  
**SIDE LOADING POWER LIFT**  
1/2 ton capacity  
reaches to 8'  
certified for data center use fully  
assembled and ready to use



The ServerLIFT **SL-1000X** is the flagship of all ServerLIFT products designed to move equipment up to 1000 lbs and usable in even the tightest of environments. Built for years of service, the **SL-1000X** is the most robust data center lift available anywhere.

ServerLIFT Corporation, 821 N. 2nd St., Phoenix, AZ 85004 - 602-254-1557  
ServerLIFT.com

Weight: 539 lbs [244.49 kg]  
 Shipping Weight: 700 lbs [317.51 kg]  
 Zero Turn Radius (can pivot on axis when front casters are unlocked)  
 Aisle and "T" Intersection turn limit: 34" [86.36 cm]  
 Side Shelf distance: 6" each side - 12" total travel [30.48 cm]  
 Minimum Aisle Width: 25" [63cm]  
 Shelf upper load limit: 8' [243.80 cm]  
 Shelf lower limit: 4.96" [12.59 cm]  
 Maximum load capacity rating: 1000 lbs [453.59 kg]



**serverLIFT**  
 phone (602) 254-1557  
 fax (602) 254-1975  
 821 N 2nd St  
 Phoenix, AZ 85004  
 www.ServerLift.com

PART NO.  
**SL-1000X™**

PRINT DATE:  
 1/11/2016  
 COPYRIGHT 2016  
 SERVERLIFT CORPORATION

Notes: